

SH 100-C012

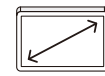
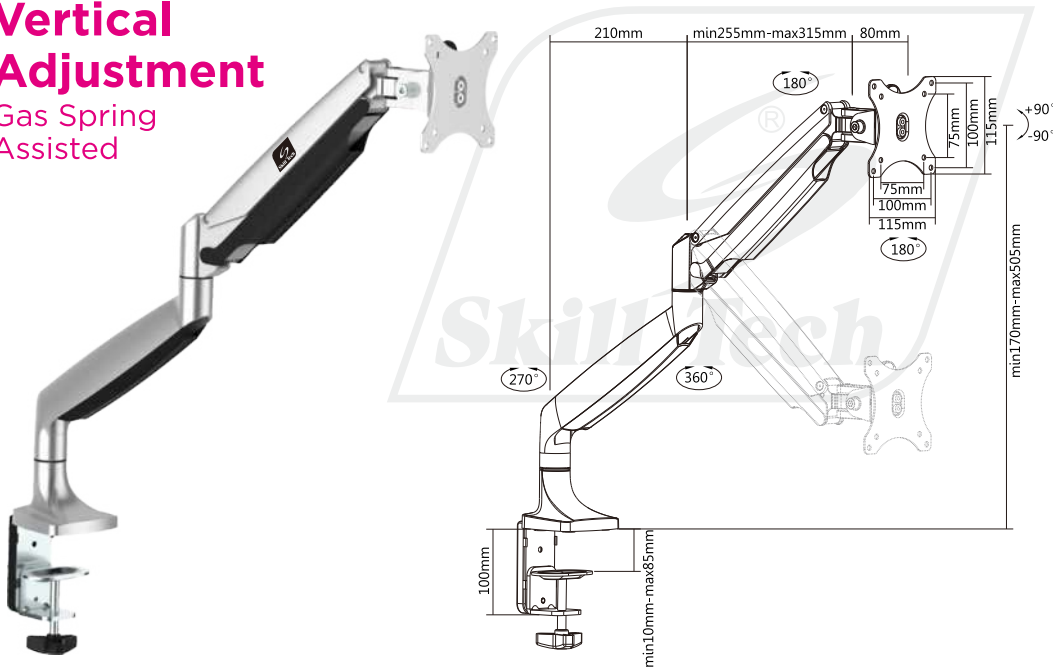
Aluminum Interactive

Counterbalance Monitor Arms



Vertical Adjustment

Gas Spring Assisted



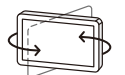
Screen Size
13"-32"



Weight Capacity
1-9kg/2.2-19.8lbs



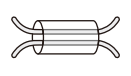
Tilt Range
+90° ~ -90°



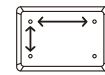
Swivel Range
+90° ~ -90°



Screen Rotation
180°



Cable Management



VESA Compatible
75x75 100x100



Curved Monitor



Detachable VESA panel makes installation easier.



Both grommet and desk clamp mounting available.



Create a clean sleek look by concealing cables from sight.



Built-in spring tension gauge adjusts for various arm weight loads.



Added slots for holding tools in case of possible maintenance in future.